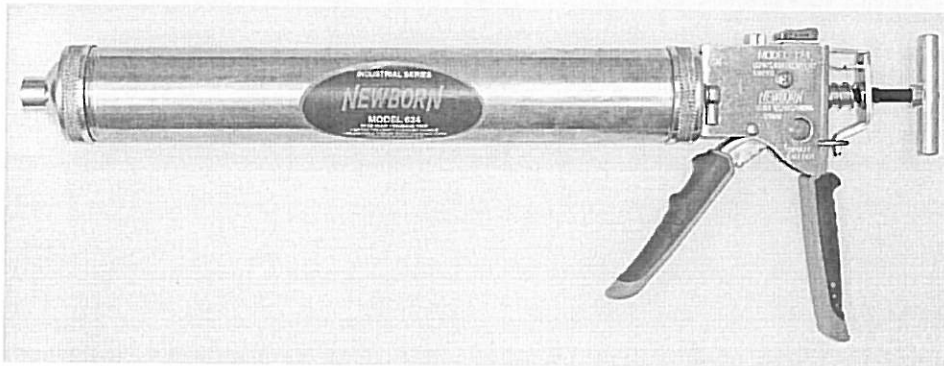


# MODELS 624-GTS / 632-GTS / 632C-GTS FEATURES / INSTRUCTIONS

**BULK • CARTRIDGE • SAUSAGE LOADERS**

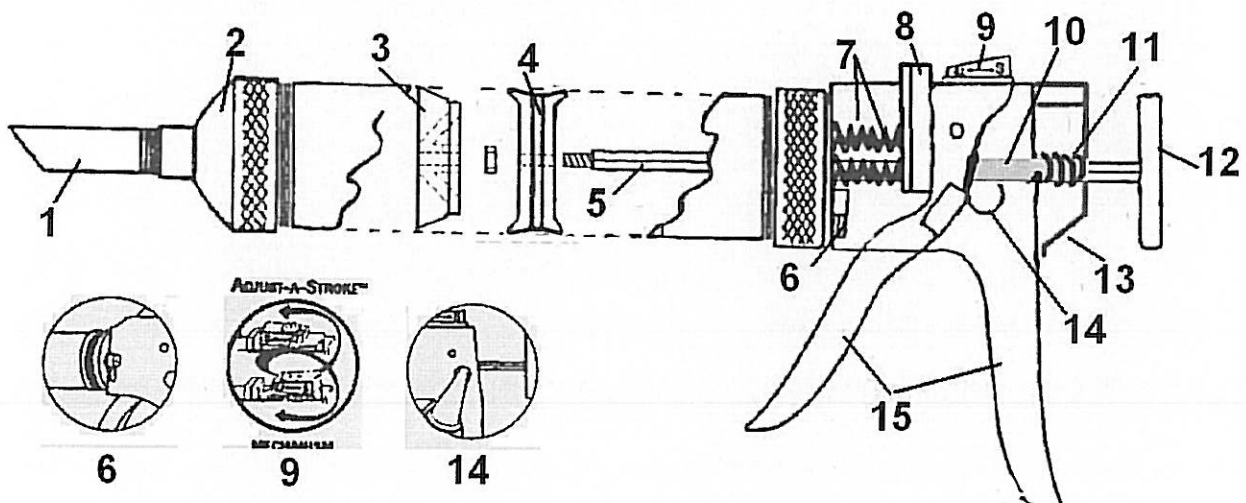


**E-Z THRUST**  
"ADJUST-A-STROKE"<sup>™</sup>

**GATOR TRIGGER**

EFFECTIVE TRIGGER GRIP  
**ETG**  
\*Patent Pending

- Fully equipped to be used for bulk and sausage packs with no other parts or kits needed. (must purchase EP-92 to use with 10oz cartridges)
- Available in capacities of 24 oz., and 32 oz.
- Patented E-Z Thrust® and Adjust-A-Stroke® Mechanisms deliver powerful 7:1 to 14:1 thrust with little effort.
- Patented ETG (Effective Trigger Grip) allows NO slack & prolongs the trigger action.
- Barrel Rotation with On/Off Lock
- Designed to fit your existing nozzles and accessories to maximize your prior investment.
- Loaded with many time and money saving features without extra charge.
- Replacement parts available for easy repair.



- |                                 |                               |
|---------------------------------|-------------------------------|
| 1. Interchanging Nozzle         | 9. Adjust-A-Stroke® Mechanism |
| 2. End Cap (Ring Cap not shown) | 10. Effective Trigger Grip    |
| 3. Floating Sausage Cup         | 11. Recoil Spring             |
| 4. Leather Cup Piston Packing   | 12. "T" bar                   |
| 5. Push Rod                     | 13. Thumb release             |
| 6. Barrel ON/OFF lock           | 14. Spout/Cone cutter         |
| 7. Front Springs                | 15. Gator Trigger             |
| 8. Dual Friction Plates         |                               |

## **To Use as a Bulkloader:**

If you are using a follow plate: Remove the front cap and wet the end of the bulk loader with water or a release agent. Also spray or put water into the gun chamber to lubricate the interior. Attach the bulk loader to the follow plate (Newborn Model FPT-05 or FPT-02), lock the thumb release and pull the load slowly until the gun is full. Newborn's neoprene follow plates use the air tight "O" ring. There is no need to screw barrel into follow plate to lock.

If you are not using a follow plate: Place the end of the bulk loader into the material about 2-3 inches and pull back the rod to bring the material into the gun. Scrape the material off of the gun to make sure the gun is clean.

Clean Up: At the end of your job, put remaining caulk back into the pail and seal it. Place the gun into a pail of water with the front cap removed and pull the rod back and forth. Continue doing this until the gun is clean. Spray a light lubricant (like WD40) into the gun chamber both in front of and behind the leather cups. Leave gun open until it is dry and wipe the exterior of the gun with light oil.

If the gun will not fill, the leathers may be worn or dried out. If this is the case, place the end of the gun into warm water and keep pulling on the rod until water is pulled into the gun. Important, leathers will lose shape if soaked in water for too long so avoid soaking the leathers in water too long.

## **To Use with Sausage Pack:**

1. Pull the piston rod all the way backward.
2. Remove the front cap.
3. Insert the Floating Sausage Cup (part No. HFC-81) into the barrel. Must be evenly inserted. Push down the Floating Sausage Cup with your sausage pack (unopened) all the way to the end. If you would like to attach this cup permanently, remove the top leather cup and replace it with the floating cup and bolt it on with the bolt contained in the Floating Sausage Cup package.
4. Cut open your sausage pack and close the front cap.
5. Slowly squeeze trigger until you feel the Floating Sausage Cup snap in the leather cup.

## **To Use with Cartridge:**

1. Purchase EP-92 separately.
2. Unscrew lock-nut and remove leather cup piston packing.
3. Screw EP-92 onto threaded end of push rod.
4. Cut nozzle to preferred size using the built-in spout cutter and load cartridge into barrel.
5. Screw on front cap tightly by hand to assure proper seal.
6. Puncture seal through the plastic nozzle opening.

## **To Rebuild Your Bulk Loader:**

*Newborn bulk loaders come with a special heat-treated rod and friction plate that are made to stand up to heavy duty use in both 7:1 and 14:1 thrust modes. If your friction plate wears down, flip it around. If both sides get worn, replace entire friction plate. To replace friction plates, rods, piston packings, etc. please refer to our website, [www.NewbornCaulkGuns.com](http://www.NewbornCaulkGuns.com) or call our office at (800)638-3983.*